

LIGHTFLOW Compatible with TITUS HVAC FlowBar-10, Border 22

Description

Introducing Apure's groundbreaking Minus Lighting Module designed exclusively for seamless integration within Titus' FL-10 Border 22 Architectural Diffuser. Upgrade your space with this cutting-edge LED Module, specifically engineered for seamless integration within the Titus FL-10 FlowBar product and experience a harmonious blend of style and functionality as this innovative product takes architectural lighting to new heights, effortlessly merging the patented and award-winning functionality and aesthetics of the Minus lighting series.

Construction

- Extruded aluminum profile
- Black powder coated finish
- Includes connection hardware and Minus Two LED Fixture

Lighting Fixture Specifications

- Class 2 Fixture, Remote Powered up to 45m (150ft) max - *driver specific*
- 19mm (3/4") recess depth required
- 12W Cree LED
- Up to 1000lm from source (IES files available upon request)
- Available in Warm White (2700K) and Soft White (3000K)
- Color Rendering Index ≥ 90
- 2-step SDCM ellipse for accurate color consistency between fixtures
- Full dimming range (0.1% to 100%) via remote power supply
- Type IC Rated, Plenum Rated, Airtight Rated
- Patented Product
- Engineered and made in Germany

Listings

- UL Listed, CE Conform
- Lighting fixture suitable for dry and damp locations

Resources

Scan QR Code or visit at apurelighting.com/resources/



Compatible exclusively with Titus FlowBar FL-10 Border 22 Diffusers



Resources Titus FL-LED

Titus FL-10 FlowBar Diffuser with Apure LIGHTFLOW Modules



Description

Introducing a groundbreaking collaboration between Titus-HVAC and cutting-edge lighting technology by Apure. This revolutionary product seamlessly integrates lighting modules into air diffuser channels, redefining the concept of dual functionality. With the LIGHTFLOW System, you can elevate your space by combining Apure's award-winning and patented lighting modules and efficient air distribution.

Construction

- Extruded aluminum fixture body, featuring Apure's signature louver designed by Studio F·A·Porsche
- 50,000 hours LED lifetime
- Approximate fixture weight: 720g (1.58lbs)
- Operating Temperature: 10°C to 50°C

Fixture Size

- Visible Aperture: 25mm x 25mm (1" x 1")
- Recess Depth: 19mm (3/4")
- Heat Sink: 120mm x 120mm (4 - 3/4" x 4 - 3/4")

Light Output

- High performance Cree LED, available in various color temperatures
- 1000lm source light output
- 2-step SDCM ellipse
- Color rendering index (CRI) min. 90
- Integral microprocessor controlled thermal protection

Electrical Specifications

24V DC Input (Class 2, 12W Power Consumption)

- 96W 24V DC Power Supply Required (powers up to 4 fixtures)
- Magnetic Low Voltage (MLV) Dimming (or) 3-Wire Lutron Hi-Lume dimming protocols
- Recommended wire, min. 16 AWG plenum rated (CMP, when required) up to 150ft from remote transformer

12V DC Input (Class 2, 12W Power Consumption)

- Remote 1000mA Constant Current Driver Required
- 0-10V 0.1% Dimming (or) 1-10V/Push/DALI (or) Phase Dimming drivers available
- Recommended wire, min. 16 AWG plenum rated (CMP, when required) up to 82ft from remote transformer

Listings

- UL Listed, CE Conform
- Type IC Rated, Plenum Rated, Airtight Rated



ORDERING INFORMATION - LIGHTING MODULE

SERIES	MODEL	FLOWBAR TYPE	ORIENTATION
<input type="checkbox"/> AT - Minus HVAC Module	<input type="checkbox"/> 2 - Minus Two	<input type="checkbox"/> 1 - FL10-LED	<input type="checkbox"/> F - Fixed
TEMPERATURE (CCT)	COLOR RENDERING INDEX		
<input type="checkbox"/> 27 - Warm White (2700K)	<input type="checkbox"/> 90 - ≥90		
<input type="checkbox"/> 30 - Soft White (3000K)			
OPTICS (DEGREE)	DIMMING PROTOCOL		
<input type="checkbox"/> S - Spot (20°)	<input type="checkbox"/> A - Magnetic Low Voltage (MLV) (24V)*		
<input type="checkbox"/> F - Flood (40°)	<input type="checkbox"/> L - Lutron 3-Wire Hi-Lume 0.1% (24V)*		
	<input type="checkbox"/> EU - 0-10V / DALI / Phase Dim (12V)*		

*remote power supply required

ORDERING EXAMPLE AT21F3090FEU

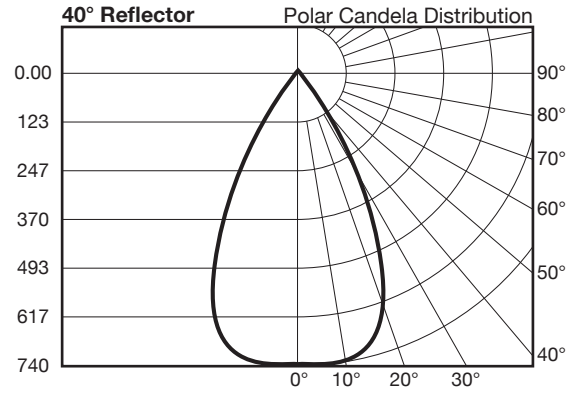
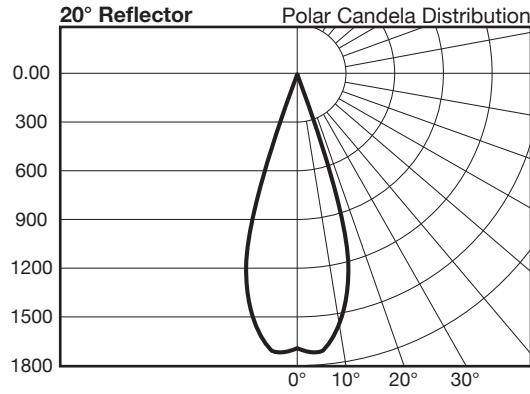
ORDERING INFORMATION - TITUS FLOWBAR

The MINUS TWO MODULE is only compatible with the HVAC FL-10 Border 22 Series. The compatible Titus HVAC Linear Diffusers can be ordered from Authorized Titus Reps worldwide. Please scan the QR code to locate a rep near you.



Find a Rep

LED Photometrics



Remote Power Supply for MLV Variant - [A]
 Magnitude Power Supply (96W 24VDC)
 Lumiron Power Supply (96W 24VDC)

Part Number
 AA3096M
 AA3100L

Input Voltage
 120Vac
 120Vac

Listings
 ETL
 ETL

Remote Power Supply for Lutron Variant - [L]
 Lutron 3-wire Hi-Lume Premier Eco Driver
 Lutron 3-wire HomeWorks Digital Control

Part Number
 L3D0-96W24V-U
 LHD0-96W24V-U

Input Voltage
 120-277V
 120-277V

Listings
 UL
 UL

Remote Power Supply for CC Variant - [EU]
 Magnitude AFLEX Power Supply (1000mA 60W)*
 Magnitude AFLEX JBZN Series (1000mA 60W)**
 Apure Phase Dimmable (1000mA 29W)
 Apure Phase Dimmable (1000mA 30-65W)
 Apure DALI, Push, 1-10V (1000mA 30-65W)*

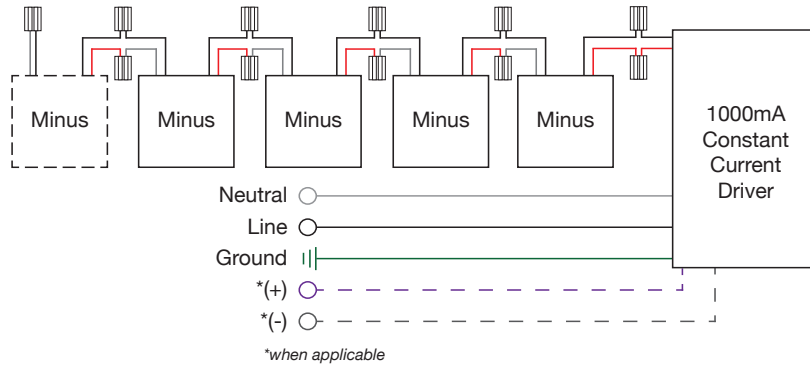
Part Number
 AA3010M
 AA3010MJBXX
 AA32202DEU
 AA32205DEU
 AA3DALIDEU

Input Voltage
 120-277Vac
 120-277Vac
 220-240Vac
 220-240Vac
 110-240Vac

Listings
 UL Listed
 UL Listed
 CE
 CE
 CE

*Driver enclosure required where applicable.
 **Refer to reseller for more information.

Wiring Diagram for Constant Current Minus products - [EU]



Fixture Leads In
 Red with Red (+)
 Black with Black (-)

Fixture Leads Out
 Black with Black
 White with Red

Warning: failure to wire correctly may cause fixture to fail.

Note: The white and black cables of the last fixture in the series must be bridged together!

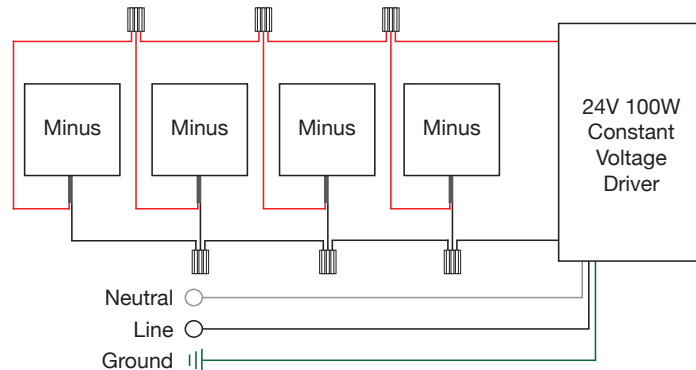
Additional Considerations

The above wiring diagram applies only to Constant Current Minus products with product ordering codes ending with "EU". The diagram above shows the typical wiring schematic, however the total number of fixtures per driver is driver specific.

- Magnitude AFLEX Power Supply (1000mA 60W) 1-4 Minus 16AWG - 82ft (25m)
- Apure Phase Dimmable (1000mA 29W) 1-2 Minus 16AWG - 82ft (25m)
- Apure Phase Dimmable (1000mA 30-65W) 3-5 Minus 16AWG - 82ft (25m)
- Apure DALI, Push, 1-10V (1000mA 30-65W) 1-4 Minus 16AWG - 82ft (25m)

WARNING: The power supply must operate within the range of minimum to maximum fixtures. Operation with less or more fixtures from the specified amount will result in damage to the power supply and/or lighting fixture. Incorrectly wiring the Constant Current lighting fixture may cause luminaire to fail.

Wiring Diagram for 24V Minus Products - [A] MLV or [L] Lutron



Fixture Leads
 Red (+)
 Black (-)

Additional Considerations

The above wiring diagram applies only to 24V Minus products with product ordering codes ending with "A" or "L". The diagram above shows the typical wiring schematic, however the total number of fixtures per driver is driver specific.

- Magnitude Constant Voltage Driver (96W 24VDC) 1-4 Minus ≤16AWG - 150ft (45m)
- Lutron Hi-Lume Constant Voltage Driver (96W 24VDC) 1-4 Minus ≤16AWG - 150ft (45m)
- Lutron HomeWorks Constant Voltage Driver (96W 24VDC) 1-4 Minus ≤16AWG - 150ft (45m)

WARNING: The power supply must operate within the range of minimum to maximum fixtures. Operation with less or more fixtures from the specified amount will result in damage to the power supply and/or lighting fixture.